

These general-purpose connection heads are designed and manufactured by Pyromation. The enhanced connection head series design provides^[1]:

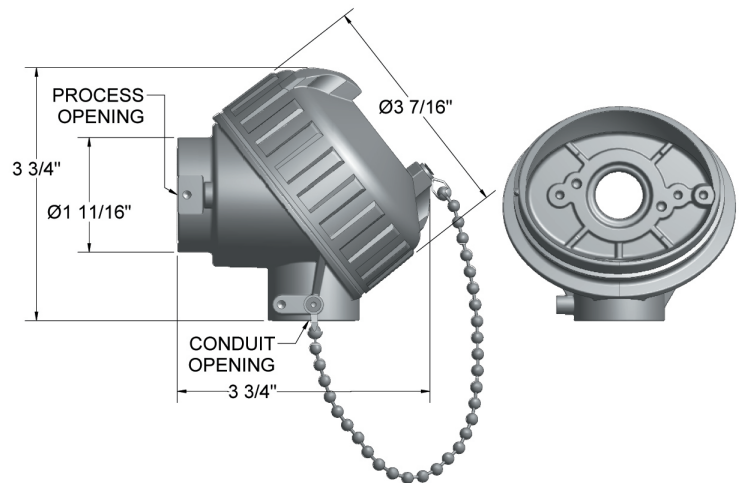
- Greater internal volume for easier wire termination and storage
- Elevated terminal block allowing easy access to terminals for attachment of extension wire
- Conduit stop to prevent damage to interior wiring/block/transmitter during installation
- Optional ground screw (not available on the polypropylene head) and process set screw positions
- Easy single-twist cap removal that maintains strong seal when closed

[1] The connection head series changes are not incorporated in the flip-top aluminum connection head.

31 SERIES GENERAL-PURPOSE, DIE-CAST ALUMINUM CONNECTION HEADS

The General-Purpose, Die-cast Aluminum connection heads are NEMA 4X/IP66 rated for indoor or outdoor use, providing protection against dust, rain, splashing and hose-directed water. When specified the heads are rated through FM/CSA; Non-Incendive Class I, Division II, Groups A, B, C, and D; Class II, Division II, Groups F and G; Class III.

Some configurations are available in a white epoxy coating (which comes with an O-ring seal). All other units come with a standard graphite material gasket that provides good chemical stability, superior creep resistance and a maximum temperature rating of 825 °F. These heads accept Pyromation 340 series terminal blocks or 400 series transmitters and DIN Form B blocks or transmitters.



34 SERIES GENERAL-PURPOSE, CAST IRON CONNECTION HEADS

The General-Purpose, Cast Iron connection heads are NEMA 4X/IP66 rated for indoor or outdoor use, providing protection against dust, rain, splashing and hose-directed water. When specified the heads are rated through FM/CSA; Non-Incendive Class I, Division II, Groups A, B, C, and D; Class II, Division II, Groups F and G; Class III.

These heads have a black epoxy electrocoat that provides good corrosion- and chemical-resistance; however, it does not provide UV protection for outdoor applications. These heads include a standard graphite material gasket that provides good chemical stability, superior creep resistance and a maximum temperature rating of 825 °F. Pyromation 340 series terminal blocks or 400 series transmitters and DIN Form B blocks or transmitters can be mounted in these heads.

