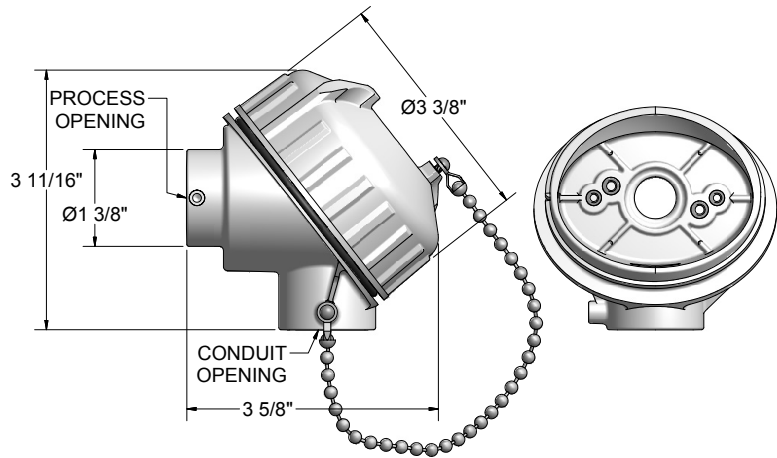


### 63 SERIES GENERAL-PURPOSE, POLYPROPYLENE (PLASTIC) CONNECTION HEADS

The plastic connection heads are molded from white polypropylene and include a stainless steel cap chain and pins. They have been tested and meet NEMA 4X wash-down and corrosion requirements for indoor or outdoor use, providing protection against dust, rain, splashing and hose-directed water. The head material is FDA approved for food contact.

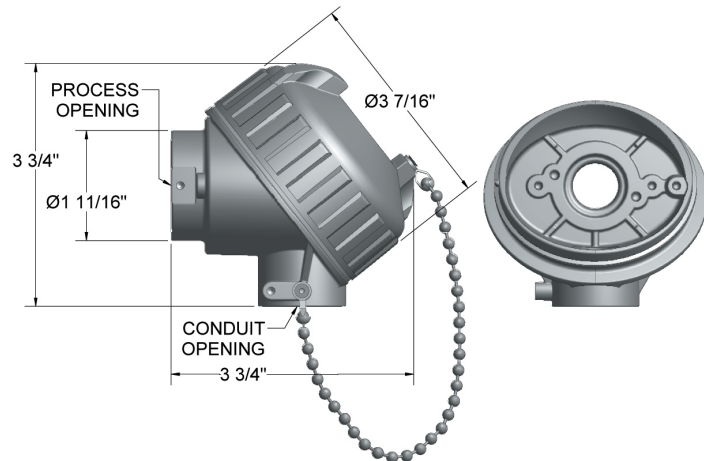
These heads come with an O-ring seal providing a maximum temperature rating of 250 °F. Each head has a 1/2" NPT process opening and a 3/4" conduit opening. They will accept Pyromation 340 series blocks, 400 series transmitters and DIN Form B blocks or transmitters.



### 91 SERIES GENERAL-PURPOSE, STAINLESS STEEL CONNECTION HEADS

The General-Purpose, 316L Stainless Steel connection heads are NEMA 4X/IP66 rated for indoor or outdoor use, providing protection against dust, rain, splashing and hose-directed water. When specified the heads are rated through FM/CSA; Non-Incendive Class I, Division II, Groups A, B, C, and D; Class II, Division II, Groups F and G; Class III

The stainless steel heads offer excellent corrosion- and chemical-resistance. They include a standard graphite material gasket that provides good chemical stability, superior creep resistance and a maximum temperature rating of 825 °F. These heads accept Pyromation 340 series terminal blocks, 400 series transmitters and DIN Form B blocks or transmitters.



### 49 SERIES GENERAL-PURPOSE, FLIP-TOP ALUMINUM CONNECTION HEADS

These Flip-Top, Die-cast Aluminum connection heads feature an easy-to-open, flip-top cap that is hinged on one side so the cap cannot be lost. These heads come with a standard O-ring that provides good chemical stability, excellent wet/steam sealing characteristics and a maximum temperature rating of 400 °F. The heads accept Pyromation 340 series terminal blocks, 400 series transmitters and DIN Form B blocks or transmitters.

